

# WELDER TRACTORS SPW-270E

CE Approved



## SPECIFICATIONS



### ENGINE

Type	CATERPILLAR C-7 ACERT
Net flywheel power (DIN 6270)	275 HP - 202 kW
Governed speed	2,000 rpm



### HYDRAULIC SYSTEM

Main pumps: Mannesmann	
- 2 independent variable pumps	
Maximum capacity	320 lt/min - 84 U.S. gal/min
Maximum operating pressure	400 bar - 5,800 p.s.i.



### TRANSMISSION

Type	Hydrostatic
Motors	(HYDROMATIC) two motors with axial pistons disappearing into the track frames
Brakes	Integrated negative control
Final drives	Epicycloidal oil soaked
Maximum speed	4 miles/h - 6km/hr



### TRACK FRAME

Number of bottom rollers	8 per side
Number of carrying rollers	2 per side
Length of track on the ground	3,030 mm - 119 in
Standard shoes width	610 mm - 24 in
Gauge	1,900 mm - 75 in
Track shoes	48 per side
Ground contact area	14,200 in - 36,000 cm <sup>2</sup>
Pressure on the ground	0.66 p.s.i. - 0.30 kg/cm <sup>2</sup>



### CONTROLS

Type	Pilot operated
Electronic steering wheel	1
Throttle lever	1
Safety lever completely bypassing the control hydraulic system	1



### POWER TAKE-OFF

Type	Hydrostatic
Control	Hydraulic
Maximum torque	551 lb/ft - 747 Nm
RPM	1,800 RPM



### WELDER PACKAGES

Automatic welder package	
Bottles box	Hydraulic
Quantity of bottles	8



### ELECTRIC SYSTEM

Operating voltage	24 V
Maintenance free supplied batteries	2
Capacity (total)	160 Ah
Starter capacity	7.5 Kw
Alternator	55 A



### FLUID CAPACITIES

Fuel tank	375 liters - 100 U.S. gal
Hydraulic system circuit	450 liters - 120 U.S. gal



### HYDRAULIC BOOM

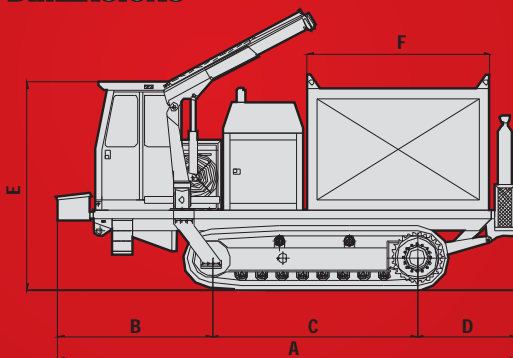
Type	Maxilift 060.3C
Maximum lifting capacity	60 KNm
Optional	HIAB 060 hydraulic knuckle boom
Maximum lifting capacity	60 KNm



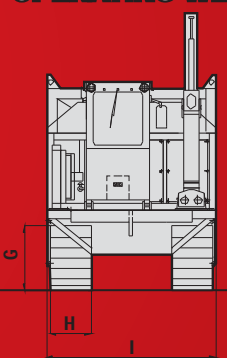
### PULL HOOK

Maximum allowed pull	
- Front	24,400 lb - 110 KN
- Rear	24,400 lb - 110 KN

## DIMENSIONS



## OPERATING WEIGHT 17,000 kg - 37,500 lb



A	6.78 m / 22.25'
B	2.29 m / 7.5'
C	3.03 m / 9.9'
D	1.45 m / 4.75'
E	3.09 m / 10.1'
F	2.7 m / 8.8'
G	9.6 m / 3.2'
H	6.1 m / 2'
I	2.5 m / 8.2'

# CONTACT INFORMATION & DISCLAIMER

## Main office – General inquiries SUPERIOR Manufacturing

16031 East Freeway  
Channelview, TX 77530  
U.S.A.  
Phone 281.457.4400  
Fax 281.452.5455  
U.S. Toll Free 800.383.2666  
Intl. Toll Free 800.9675.3948  
pipeline@wwmach.com  
www.worldwidemachinery.com

## Italy office SUPERIOR Manufacturing

Via Roma, 18  
San Pancrazio, Parma  
Italy

## Evan Greenberg

Vice-President of Intl. Operations

## Worldwide offices Europe and Australia

Juergen Hafemann  
Phone +49.0.231.963.3073 Germany  
Phone +61.0.400.144.432 Australia  
pipelinece@wwmach.com

## India

Abhishek Bhotika  
Phone +91.11.414.59230  
pipelineind@wwmach.com

## Africa

Evan Greenberg  
Phone +1.281.452.5800  
pipeline@wwmach.com

## Russia, China and the Middle East

Sergio Braoude  
Phone +39.349.198.1281 Italy  
Phone +7.495.507.4827 Russia  
fsupipeline@wwmach.com

## Latin America

Salvador Villasana  
Phone +52.81.8.394.0160  
pipelinesa@wwmach.com

## North America

Rick Layh  
Phone +1.281.457.4400  
pipelinena@wwmach.com



## DISCLAIMER

The information contained in this brochure is intended to be of a general nature only. The SUPERIOR Manufacturing Company may at any time and from time to time, for technical or other necessary reasons, modify any of the details or specifications of the product described in this brochure. Illustrations do not necessarily show products in standard conditions. The dimensions, weights and capacities shown herein, as well as any conversion data used, are approximate only and are subject to variations within normal manufacturing techniques.