

# PIPE CARRIERS SPC-D60

CE Approved



## SPECIFICATIONS

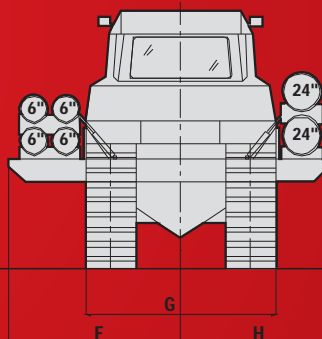
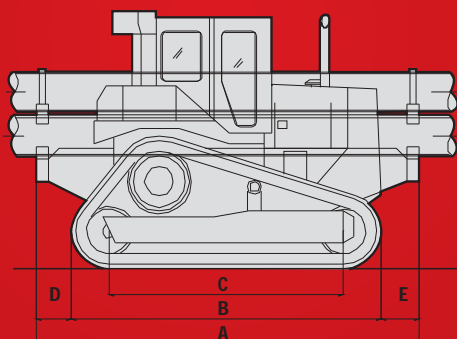
Pipe D. N.	Number Pipes Per Side	Total Pipes Per Tractor	Maximum Wall Thickness
24"	2	4	7/8" – 22 mm
22"	2	4	7/8" – 22 mm
20"	2	4	7/8" – 22 mm
18"	2	4	7/8" – 22 mm
16"	4	8	5/8" – 16 mm
14"	4	8	5/8" – 16 mm
12"	4	8	5/8" – 16 mm
10"	6	12	1/2" – 12.7 mm
8"	6	12	1/2" – 12.7 mm
6"	6	12	1/2" – 12.7 mm

## FEATURES

- Carries pipe ranging from 6" to 24"
- Horsepower 115 kW / 153 HP
- Hydraulic operated cradle arms
- Can be made to fit your Caterpillar tractor
- No special hydraulic power source required
- Easy removal and reinstallation
- Based on a Caterpillar D6M XL/D6M LGP Tractor

## DIMENSIONS

**OPERATING WEIGHT** 16,000 kg - 35,300 lb



A	4.7 m / 15.4'
B	3.74 m / 12.25'
C	2.55 m / 8.3'
D	4.6 m / 15'
E	5 m / 17'
F	2.1 m / 6.9'
G	2.49 m / 8.2'
H	1.8 m / 5.9'

# CONTACT INFORMATION & DISCLAIMER

## Main office – General inquiries SUPERIOR Manufacturing

16031 East Freeway  
Channelview, TX 77530  
U.S.A.  
Phone 281.457.4400  
Fax 281.452.5455  
U.S. Toll Free 800.383.2666  
Intl. Toll Free 800.9675.3948  
pipeline@wwmach.com  
www.worldwidemachinery.com

## Italy office SUPERIOR Manufacturing

Via Roma, 18  
San Pancrazio, Parma  
Italy

## Evan Greenberg

Vice-President of Intl. Operations

## Worldwide offices Europe and Australia

Juergen Hafemann  
Phone +49.0.231.963.3073 Germany  
Phone +61.0.400.144.432 Australia  
pipelinece@wwmach.com

## India

Abhishek Bhotika  
Phone +91.11.414.59230  
pipelineind@wwmach.com

## Africa

Evan Greenberg  
Phone +1.281.452.5800  
pipeline@wwmach.com

## Russia, China and the Middle East

Sergio Braoude  
Phone +39.349.198.1281 Italy  
Phone +7.495.507.4827 Russia  
fsupipeline@wwmach.com

## Latin America

Salvador Villasana  
Phone +52.81.8.394.0160  
pipelinesa@wwmach.com

## North America

Rick Layh  
Phone +1.281.457.4400  
pipelinena@wwmach.com



## DISCLAIMER

The information contained in this brochure is intended to be of a general nature only. The SUPERIOR Manufacturing Company may at any time and from time to time, for technical or other necessary reasons, modify any of the details or specifications of the product described in this brochure. Illustrations do not necessarily show products in standard conditions. The dimensions, weights and capacities shown herein, as well as any conversion data used, are approximate only and are subject to variations within normal manufacturing techniques.